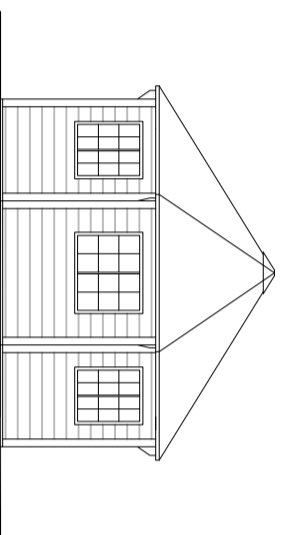
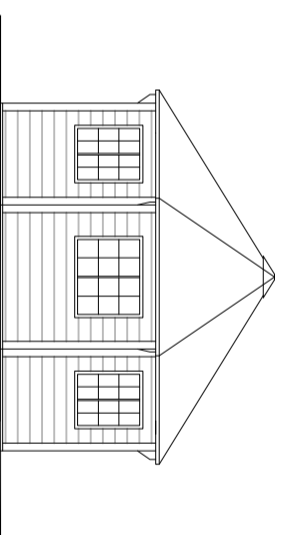


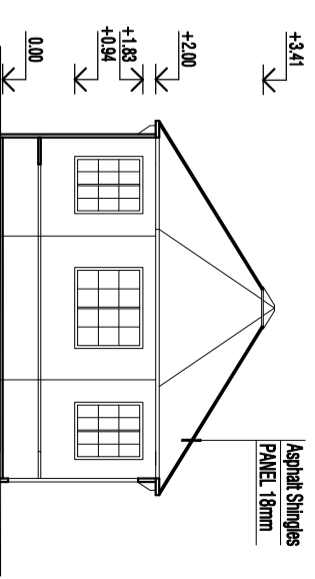
**ELEVATION a**



**ELEVATION b**

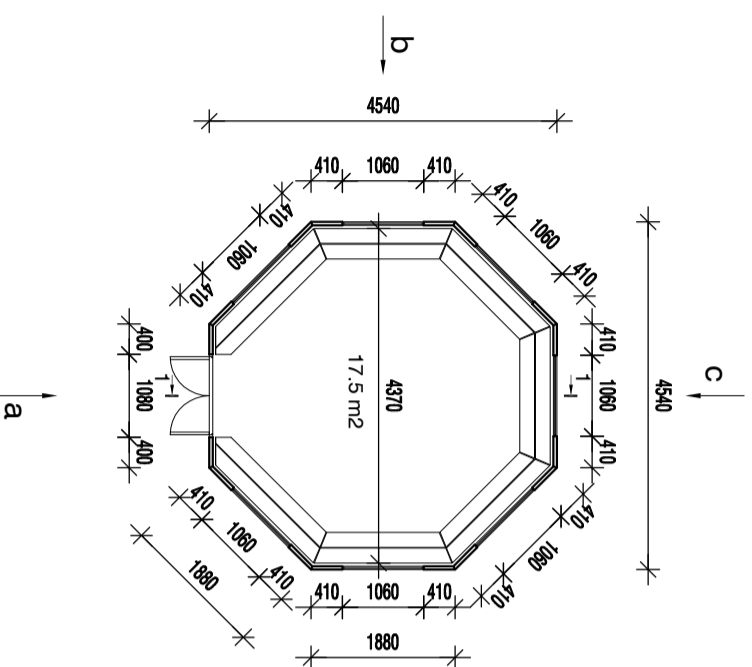


**ELEVATION c**



**CROSS SECTION 1-1**

**FLOOR PLAN**



FIRST FLOOR HEIGHT APPOINTMENT OF A CONSTRUCTION SITE  
FIRST FLOOR +0.00

- 1. ROOFING CLOUR
- 2. WALL PANEL COLOUR

MUNICIPALITY / VILLAGE	PROPERTY	— GRILL HOUSE —	
STAGE	NEW CONSTRUCTION	SHEET NAME	THE MAIN DRAWING
BUILDING ADDRESS		DRAWINGS	ELEVATION a, b, c CROSS SECTION 1-1 FLOOR PLAN
PROJECT INFORMATION COMPILED	PEETER AUNAPU 09.06.2014 construction engineer	DRAWING NUMBER WORK NUMBER	Af 0906/14-en
		SCALE	1 : 100
		MODIFICATION	